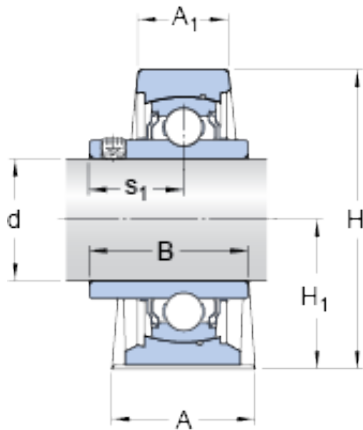




# Shandong Zhongyue Precision Bearing C...



SY 1.1/2 TF/VA201 Bearing 2D drawings and 3D CAD models

## SKF SY 1.1/2 TF/VA201 bearing units

Bearing No. SY 1.1/2 TF/VA201

Size	48x38.1x33 mm
Bore Diameter	48 mm
Outer Diameter	38,1 mm
Width	33 mm
d	38.1 mm
A	48 mm
A <sub>1</sub>	33 mm
H	99 mm
H <sub>1</sub>	49.2 mm
H <sub>2</sub>	19 mm
L	175 mm
J	135.5 mm
H	24.5 mm
N <sub>1</sub>	14 mm
B	49.2 mm
s <sub>1</sub>	30.2 mm
Basic dynamic load rating - C	30.7 kN
Basic static load rating - C <sub>0</sub>	19 kN
Limiting speed	70 r/min
Limiting temperature - T	250 ° C
Mass bearing unit	1.84 kg
Grub (set) screw - G <sub>2</sub> - 5/16-24 UNF	5/1624 UNF
Hexagonal key size for grub screw - H	3.969 mm



## Shandong Zhongyue Precision Bearing C...

Recommended tightening torque for grub screw	6.5 N · m
Category	Bearings
Inventory	0.0
Manufacturer Name	SKF
Minimum Buy Quantity	N/A
Weight / Kilogram	0
EAN	7316571381367
Product Group	M06110
A <sub>1</sub>	33 mm
H <sub>1</sub>	49.2 mm
H <sub>2</sub>	19 mm
N	24.5 mm
N <sub>1</sub>	14 mm
s <sub>1</sub>	30.2 mm
Basic dynamic load rating C	30.7 kN
Basic static load rating C <sub>0</sub>	19 kN
Limiting temperature T max.	250 ° C
Grub (set) screw G <sub>2</sub>	5/16-24 UNF
Hexagonal key size for grub screw N	3.969 mm
Attachment bolts, recommended metric size G	12 mm
Bearing	YAR 208-108-2FW/VA201