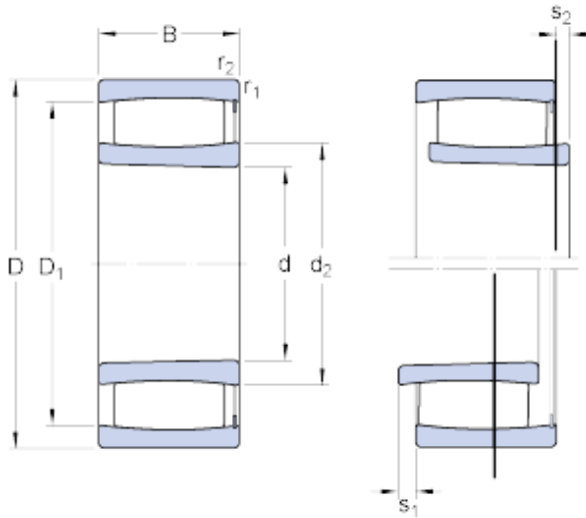




Shandong Zhongyue Precision Bearing C...



75 mm x 115 mm x 40 mm SKF C 4015 K30V cylindrical roller bearings

Bearing No. C 4015 K30V

C 4015 K30V Bearing 2D drawings and 3D CAD models

Size	115x75x40 mm
Bore Diameter	115 mm
Outer Diameter	75 mm
Width	40 mm
d	75 mm
D	115 mm
B	40 mm
d ₂	88.7 mm
D ₁	101 mm
s ₁	9.4 mm
s ₂	5.1 mm
r _{1,2} - min.	1.1 mm
d _a - min.	81 mm
d _a - max.	94 mm
D _a - max.	109 mm
r _a - max.	1 mm
Basic dynamic load rating - C	208 kN
Basic static load rating - C ₀	345 kN
Fatigue load limit - P _u	40.5 kN
Limiting speed	2000 r/min
Factor - k ₁	0.099
Factor - k ₂	0.114