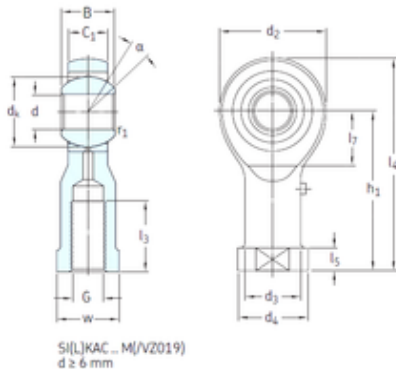




SKF SILKAC12M plain bearings



Bearing No. SILKAC12M

Bore Diameter	12 mm
d	12 mm
d2	33 mm
d3	17,5 mm
d4 max.	23 mm
dk	22,2 mm
h1	50 mm
l3 min.	18 mm
l4 max.	68 mm
l5	6,5 mm
l7 min.	16 mm
r1 min.	0,3 mm
B	16 mm
C1	12,5 mm
w	19 Tolerance h14
Thread (G)	M12 Tolerance 6H
Angle	13 °
Weight	0,11 Kg
Basic dynamic load rating (C)	13,4 kN

SILKAC12M Bearing 2D drawings and 3D CAD models