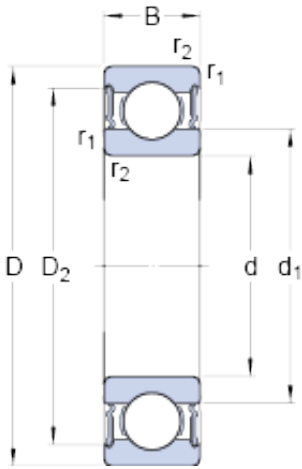




Shandong Zhongyue Precision Bearing C...



50 mm x 62 mm x 6 mm SKF W 61710-2RS1
deep groove ball bearings

Bearing No. W 61710-2RS1

W 61710-2RS1 Bearing 2D drawings and 3D CAD models

Size	62x50x6 mm
Bore Diameter	62 mm
Outer Diameter	50 mm
Width	6 mm
d	50 mm
D	62 mm
B	6 mm
d ₁	54.3 mm
D ₂	59.2 mm
r _{1,2} - min.	0.3 mm
d _a - min.	52 mm
d _a - max.	54 mm
D _a - max.	60 mm
r _a - max.	0.3 mm
Basic dynamic load rating - C	1.5 kN
Basic static load rating - C ₀	1.5 kN
Fatigue load limit - P _u	0.067 kN
Limiting speed	6000 r/min
Calculation factor - k _r	0.015
Calculation factor - f ₀	9.2
d ₁	54.3 mm
D ₂	59.2 mm
r _{1,2} min.	0.3 mm
d _a min.	52 mm



Shandong Zhongyue Precision Bearing C...

d_a max.	54 mm
D_a max.	60 mm
r_a max.	0.3 mm
Basic dynamic load rating C	1.53 kN
Basic static load rating C_0	1.53 kN
Fatigue load limit P_u	0.067 kN
Calculation factor k_r	0.015
Calculation factor f_0	9.2
Mass bearing	0.037 kg