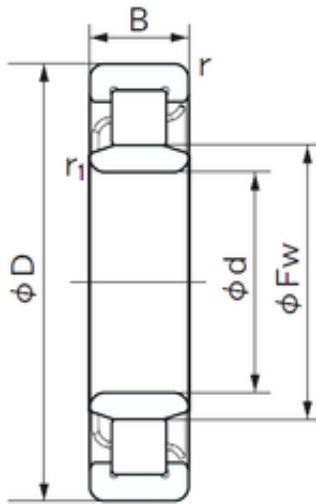




Shandong Zhongyue Precision Bearing C...



50 mm x 90 mm x 23 mm NACHI NU 2210
cylindrical roller bearings

Bearing No. NU 2210

Size	50x90x23 mm
Bore Diameter	50 mm
Outer Diameter	90 mm
Width	23 mm
d	50 mm
Fw	60.4 mm
D	90 mm
B	23 mm
r min.	1.1 mm
r1 min.	1.1 mm
Weight	0.580 Kg
Basic dynamic load rating (C)	64 kN
Basic static load rating (C0)	73,5 kN
(Grease) Lubrication Speed	6500 r/min

NU 2210 Bearing 2D drawings and 3D CAD models